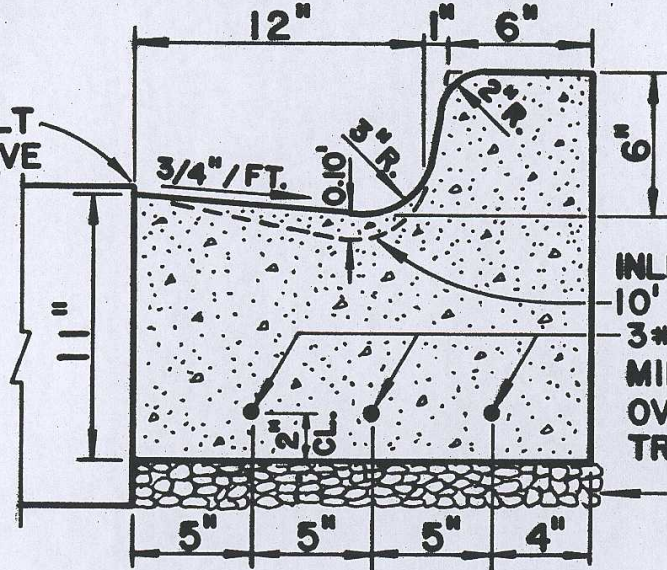


# CONCRETE CURB AND GUTTER

MAINTAIN ASPHALT SURFACE 1/4" ABOVE GUTTER FLAG

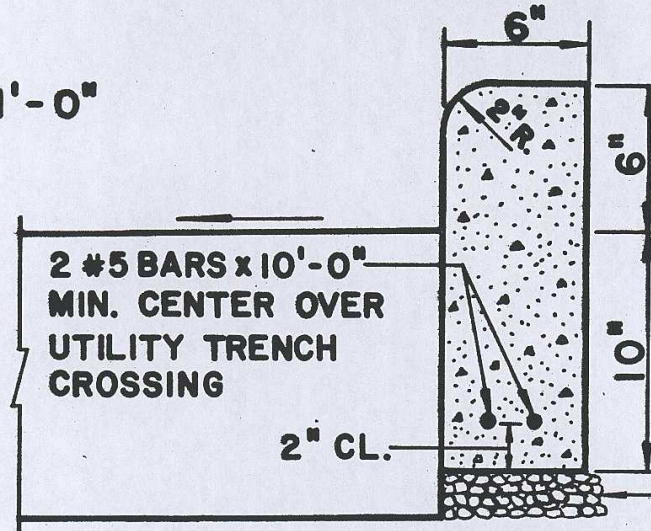


DEPRESSED SECTION AT INLET TAPER FROM 10' EACH WAY  
3 #5 BARS x 10'-0" MIN. CENTER OVER UTILITY TRENCH CROSSING  
MINIMUM 2" GRAVEL BED

TYPE B-6-12

SCALE: 1-1/2" = 1'-0"

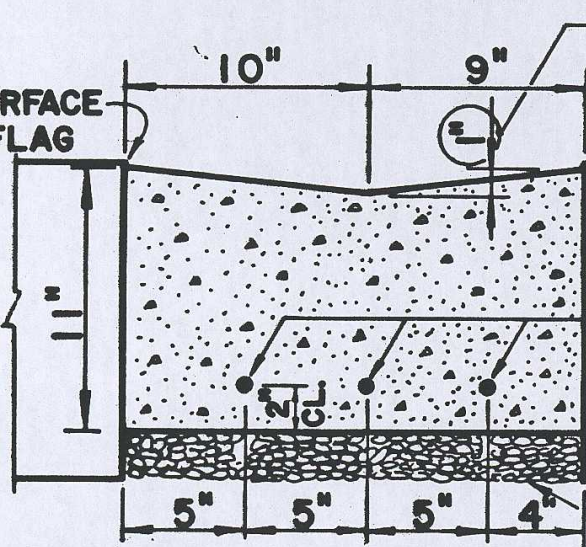
PARKING LOT BARRIER CURB



2 #5 BARS x 10'-0" MIN. CENTER OVER UTILITY TRENCH CROSSING

MINIMUM 2" GRAVEL BED

MAINTAIN ASPHALT SURFACE 1/4" ABOVE GUTTER FLAG



THIS DIMENSION TO BE 3" FOR SPECIAL BARRIER CURB

3 #5 BARS x 10'-0" MIN. CENTER OVER UTILITY TRENCH CROSSING

MINIMUM 2" GRAVEL BED

DEPRESSED CURB

LTD JUNE 1982